

## Description

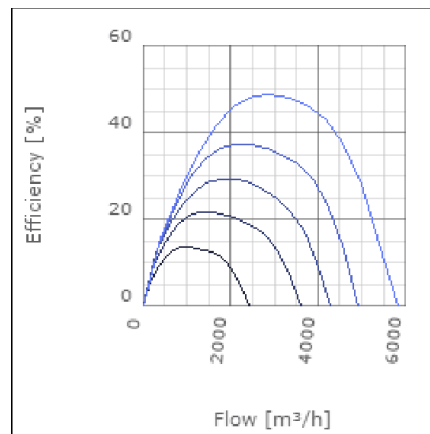
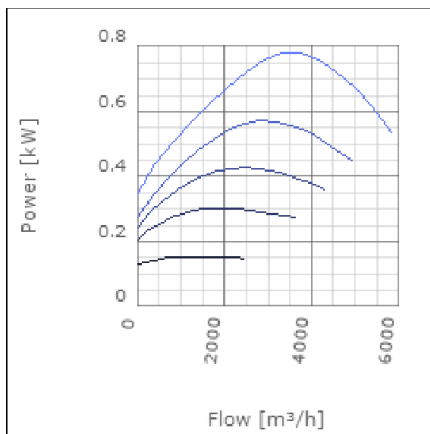
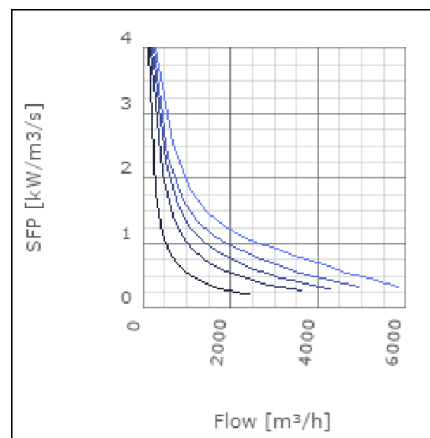
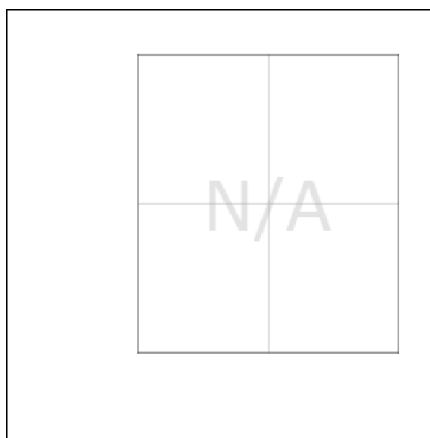
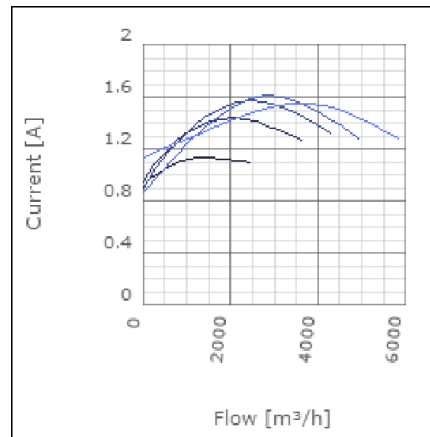
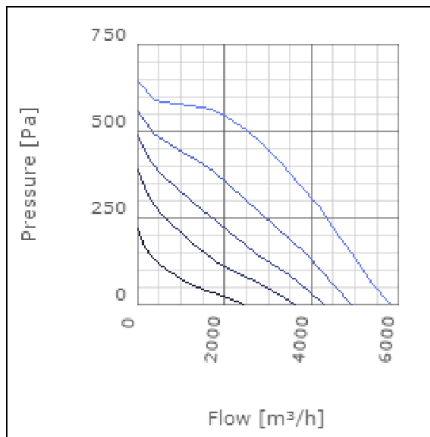
RKB is a range of straight flow in-line centrifugal duct fans designed for rectangular ducts. They are compact, high capacity fans which operate quietly and can be fitted in any position. RKB fans have backward curved impellers and are designed to cope with high pressure and long duct. The fans have a rigid housing made from galvanised steel. They are moisture proof and approved for use in outdoor environments. The motors are maintenance free and protected from overheating by thermo contacts. The impellers only require occasional cleaning. This cleaning is made easy with the RKB's swing out design. All fans are supplied fully wired and ready to fit in a sealed installation unit. The fans are not intended for transporting grinding dust, soot or similar. RKB fans come in 25 sizes.



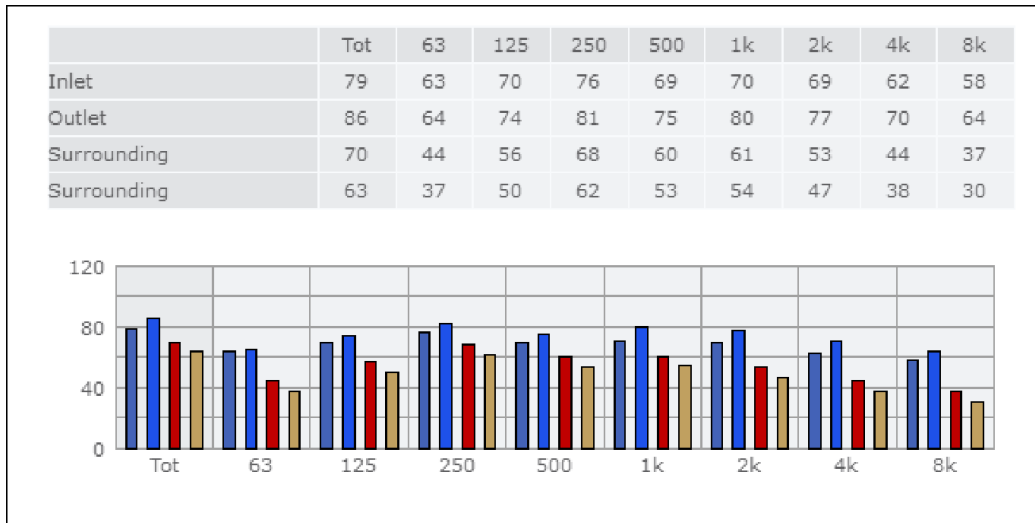
## Technical data

Parameter	Value	Unit
Voltage	400	V
Phase	3	~
Frequency	50	Hz
Power	0.78	kW
Current	1.55	A
R.p.m.	23	r/s
Max. temperature of transported air	70	°C
Max. temperature of transported air when speed-controlled	70	°C
Sound pressure level at 3 m	59	dB(A)
Length	787	mm
Width	743	mm
Height	452	mm
Weight	38.5	kg
Enclosure class, motor	44	IP
Insulation class, motor	F	
Duct connection	700x400 mm	

Diagrams



Sound



**Parameter**

Distance: 3.000  
 Propagation type: Hemi-spherical  
 Equivalent absorption area: 20.00

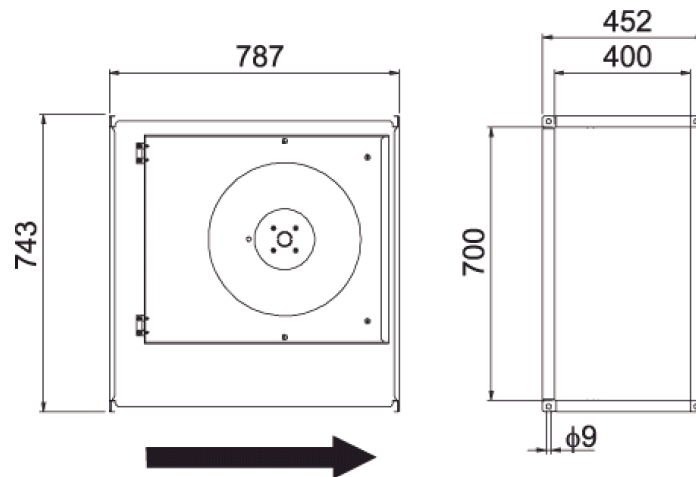
**Checked point**

Flow 3140.288m<sup>3</sup>/h  
 Static pressure 431Pa

**Working point**

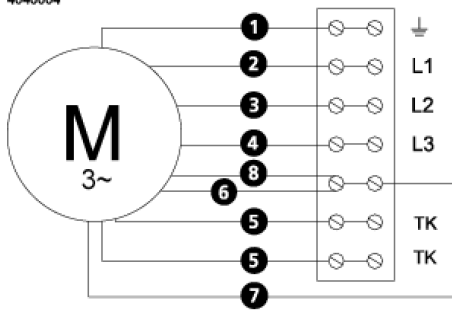
Flow 3141.433m<sup>3</sup>/h  
 Static Pressure 431Pa  
 Power 0.77kW  
 Speed 0r/s  
 Current 1.54A  
 Voltage 400V  
 Efficiency 48.708%  
 SFP 0kW/m<sup>3</sup>/s

## Dimensions



## Wiring diagram

4040004



- (M) = Fan Motor
- (M1) = Fan Motor
- (M2) = Fan Motor
- (M3) = Rotor Motor
- 1 = Yellow/Green
- 2 = Black
- 3 = Blue
- 4 = Brown
- 5 = White (TW)
- 6 = Orange
- 7 = Grey
- 8 = Red
- 9 = Green
- 10 = Violet

## Accessories

VRDT 2  
VRTT 2

## Electrical accessories

FLR 700x400  
DS 700x400  
LDR 700x400